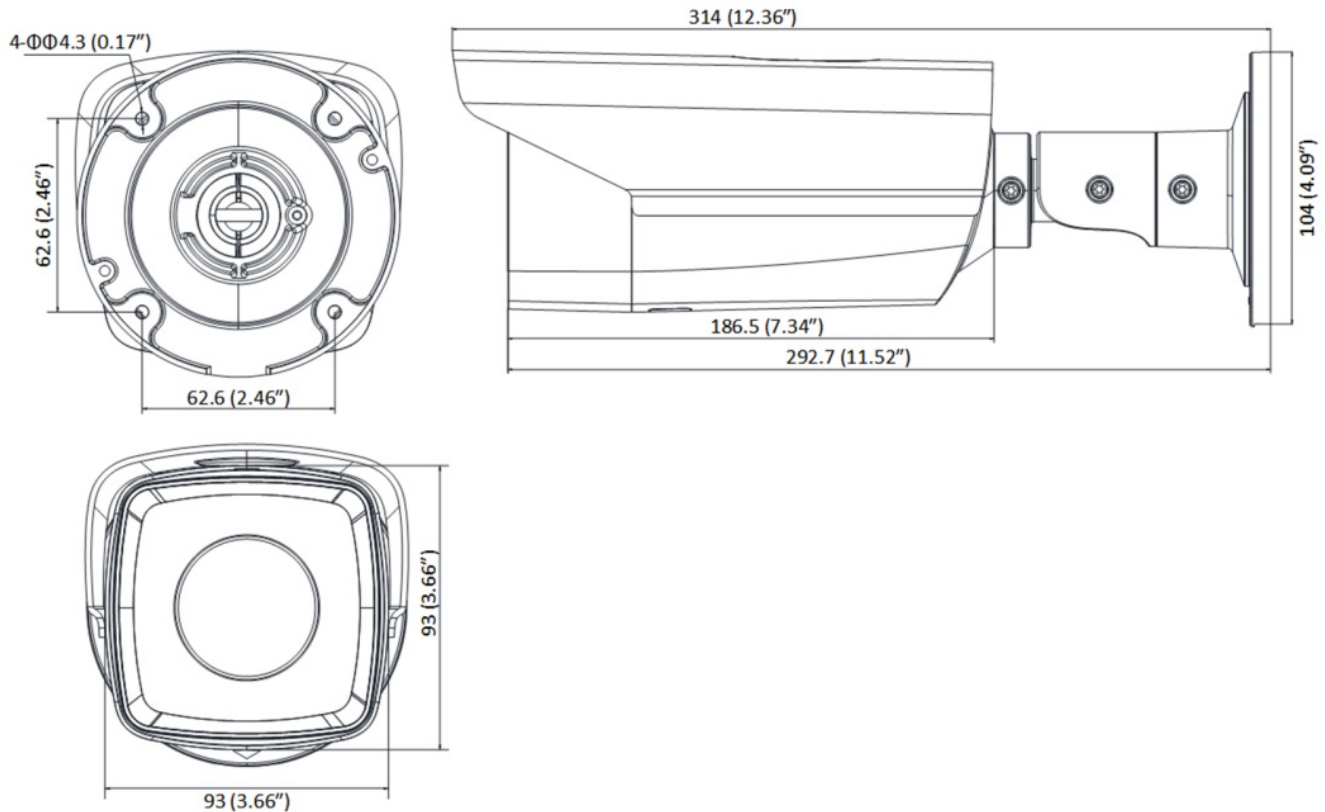


Thermal Network Bullet Camera

- Max Resolution 384 × 288
- Vanadium Oxide Uncooled Focal Plane Arrays
- Support Fire Detection & Alarms
- Focal Length: 25mm
- Smart Functions
- 2/2 Alarm Integration



Dimensions



Technical Specifications

Thermal Module					
Image Sensor	Vanadium Oxide Uncooled Focal Plane Arrays				
Effective Pixels	384 × 288				
Lens (Focal Length)	25 mm				
Pixel Interval	17 μm				
Response Waveband	8μm to 14μm				
NETD	Less than 40mk (at 25°C, F#=1.0)				
MRAD	0.68 mrad				
Field of View	14.88° × 11.19° (H × V)				
Min. Focusing Distance	13 m				
Aperture	F1.0				
Features					
Bi-spectrum Image Fusion	N/A				
Picture in Picture	N/A				
IR Distance	N/A				
IR Intensity and Angle	N/A				
DORI	Lens	Detect	Observe	Recognize	Identify
Distance	7 mm	2411.42 ft (735 m)	-	603.67 ft (184 m)	301.84 ft (92 m)
Video					
Compression	H.265/ H.264/ MJPEG, H.265+/ H.264+ encoding with Baseline/ Main/ High Profile				
Main Stream	50fps (384 × 288)				
Sub Stream	50fps (384 × 288)				
Third Stream	50fps (384 × 288)				
Audio					
Compression	G.711u/ G.711a/ G.722.1/ MP2L2/ G.726/ PCM				

*Design and specifications are subject to change without notice.

Technical Specifications

Intelligent Functions	
VCA (Video Content Analysis)	4 VCA rule types (Line Crossing, Intrusion, Region Entrance, and Region Exiting), up to 8 VCA rules.
Temperature Measurement	3 temperature measurement rule types, 21 rules (10 points, 10 regions, and 1 line).
Temperature Range	-20 °C to 550 °C (-4 °F to 1022 °F)
Temperature Accuracy	± 2 °C, ± 2%
Fire detection	Dynamic fire point detection, up to 10 fire points detectable.
Network	
Ethernet	1 RJ45 10M/100M Self-adaptive Ethernet interface
Protocol	IPv4/IPv6, HTTP, HTTPS, 802.1x, Qos, FTP, SMTP, UPnP, SNMP, DNS, DDNS, NTP, RTSP, RTCP, RTP, TCP, UDP, IGMP, ICMP, DHCP, PPPoE
Simultaneous Live View	Up to 20
Maximum User Access	Up to 32 users with 3 different levels : Administrator, Operator, User
Security Measures	User authentication (ID and PW), MAC address binding, HTTPS encryption, IEEE 802.1x access control, IP address filtering
Interface	
Alarm Input	2 channels inputs (0-5V DC)
Alarm Output	2 channels relay outputs, alarm response actions configurable
Alarm Action	SD recording/Relay output/Smart capture/FTP upload/Email linkage/ Preset/Patrol Scan/Pattern Scan
Audio Input	1 3.5mm Mic in/Line in interface. Line input: 2-2.4V[p-p], output impedance: 1KΩ±10%
Audio Output	Linear Level; Impedance: 600Ω
Reset	1 Reset Button
SD Memory Card	Built-in Micro SD card slot, support Micro SD/ SDHC/ SDXC card (up to 128G), support manual/ alarm recording
Analog Video Output	1.0V [p-p]/75Ω, PAL/ NTSC/ BNC
Client	iVMS-4200
Web Browser	IE9+, chrome31-chrome44, Firefox 30-Firefox51, Safari 5.02+(mac)
General	
Power Supply	24 VAC ± 25%, 12 VDC ± 20%, two-core terminal block PoE (802.3at, class 4)
Power Consumption	24 VAC ± 25%: 0.84 A, 12 VDC ± 20%: 1.7 A, max. 8W (20W with De-icing Heater On), PoE (802.3at, class 4): 42.5 V to 57 V, 0.4 A to 0.5 A
Working Environment	-40 °C to 50 °C, Less than 90% RH
Ingress Protection	IP66 TVS 6000V Lightning protection, surge protection, voltage transient protection
Weight	Approx. 2kg (4.41lb)
Dimensions	314mm × 104mm × 292.7mm (12.36" × 4.09" × 11.52")

*Design and specifications are subject to change without notice.